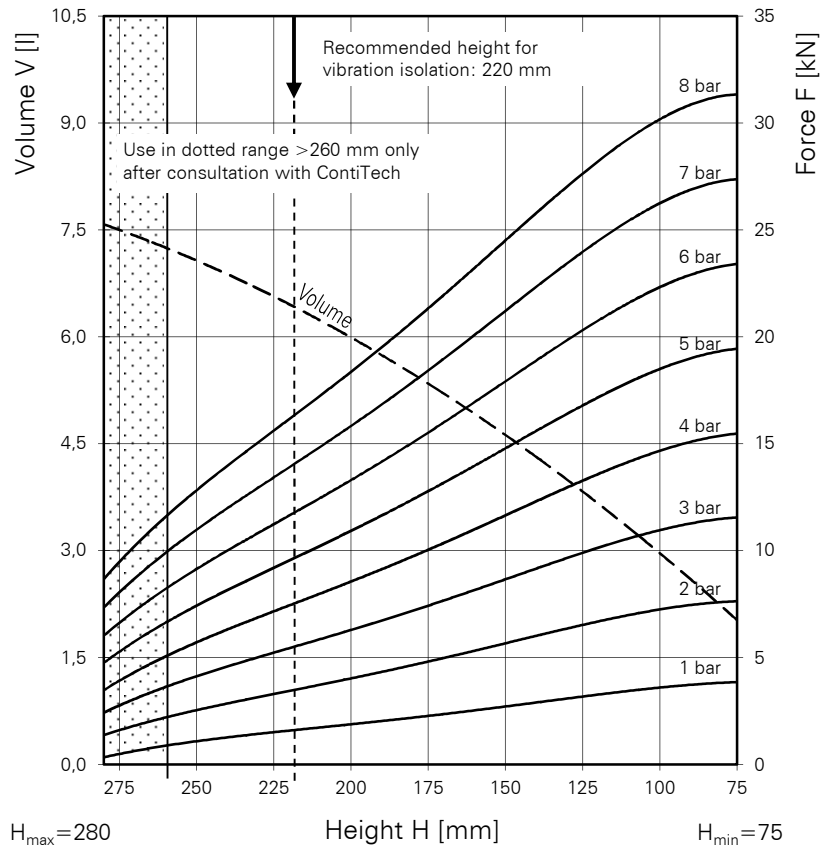
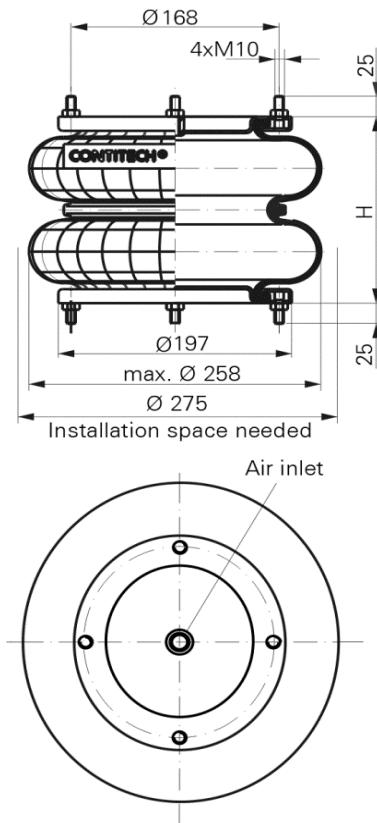


# FD 209-21 DS

# Double Convolution Air Spring



### Purchase order data

Type	Order No.
Rubber bellows only	69513
With removable plates and G 1/2 air inlet	70433

Additional types on request

### Technical data

Min. pressure	0 bar
Return force to min. height	$\leq 120$ N
Overall weight with metal plates	4.10 kg

### Vibration isolation - dynamic characteristic values

Design height H: recommended 220mm, minimum 200mm

Pressure p [bar]	3	4	5	6	7	8	Vol V [l]	
Force (Load) [kN]	5.7	7.7	9.9	12.0	14.1	16.0		6.5
Spring rate [N/cm]	860	1175	1335	1570	1805	1960		
Natural frequency [Hz]	1.9	1.9	1.8	1.8	1.8	1.7		

### Pneumatic application - static characteristic values

Force F [kN]

Pressure p [bar]	3	4	5	6	7	8	Vol. [l]		
Height H [mm]	230	5.1	6.9	8.9	10.9	13.0		15.2	6.7
	200	6.3	8.6	10.9	13.3	15.8		18.3	6.0
	160	8.1	10.9	13.9	16.9	20.1		23.2	4.9
	130	9.7	13.0	16.5	19.9	23.5		27.2	4.0
	100	11.0	14.7	18.5	22.3	26.2		30.1	2.9
	80	11.5	15.3	19.3	23.2	27.2		31.2	2.2



Service instructions  
M10 = 25 Nm  
G 1/2 = 25 Nm

Measuring procedure: Room temperature / Force- height- data quasistatic / Dynamic data at 1 Hz