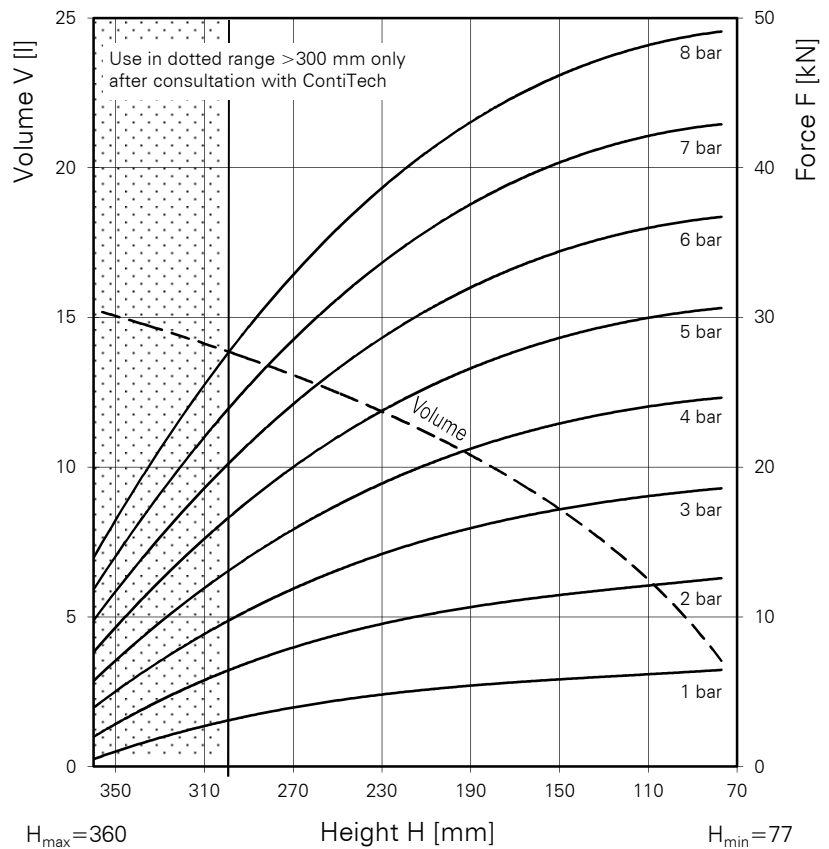
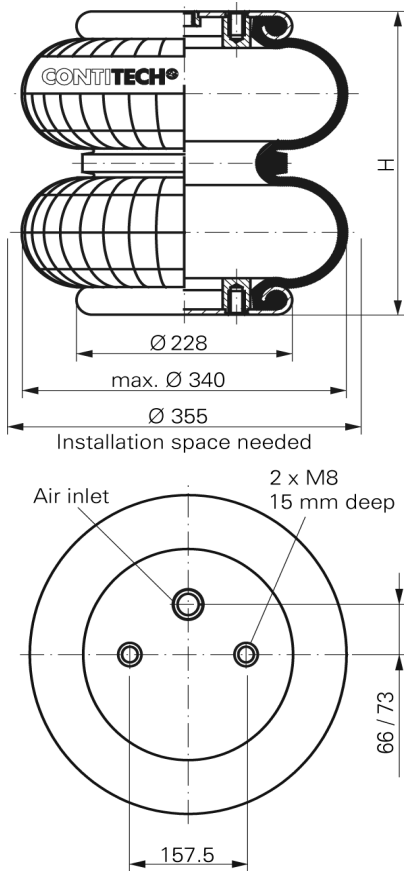


FD 330-30 CI

Double Convolution Air Spring



Purchase order data

Type	Order No.
Rubber bellows only	60516
With clamped plates G 1 air inlet 66 mm excentrical	60891
With clamped plates G 1/4 air inlet 73 mm excentrical	60417
With stainless steel plates, G 3/4 air inlet 73 mm excentrical	on request

Technical data

Min. pressure	0 bar
Return force to min. height	≤ 300 N
Overall weight with clamped plates	5.1 kg

Additional types on request



Service instructions
 M8 = 25 Nm
 G 1/4 = 25 Nm
 G 3/4 = 50 Nm
 G 1 = 50 Nm

Pneumatic application - static characteristic values

Force F [kN]

Pressure p	[bar]	3	4	5	6	7	8	Vol.[l]
Height H [mm]	300	9.8	13.1	16.7	20.3	24.0	27.7	14.0
	260	12.5	16.7	21.0	25.4	29.9	34.5	13.0
	220	14.6	19.4	24.4	29.4	34.5	39.6	11.6
	180	16.2	21.6	27.0	32.5	38.2	43.8	9.9
	140	17.6	23.4	29.3	35.2	41.3	47.2	7.8
	100	18.3	24.4	30.3	36.3	42.4	48.5	5.5

Measuring procedure: Room temperature / Force- height- data quasistatic / Dynamic data at 1 Hz