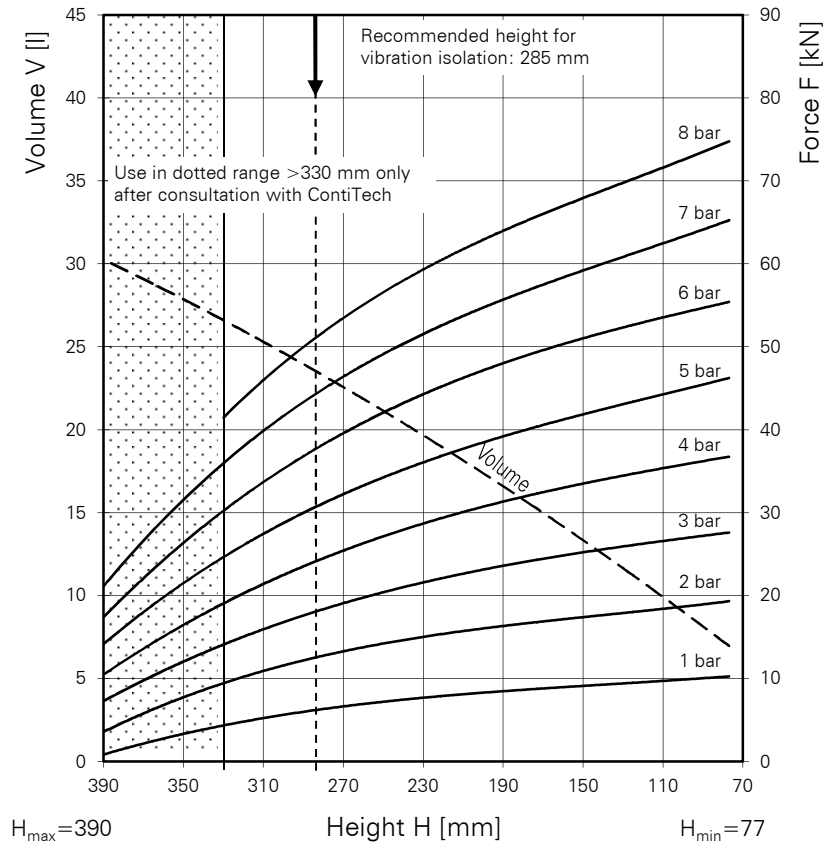
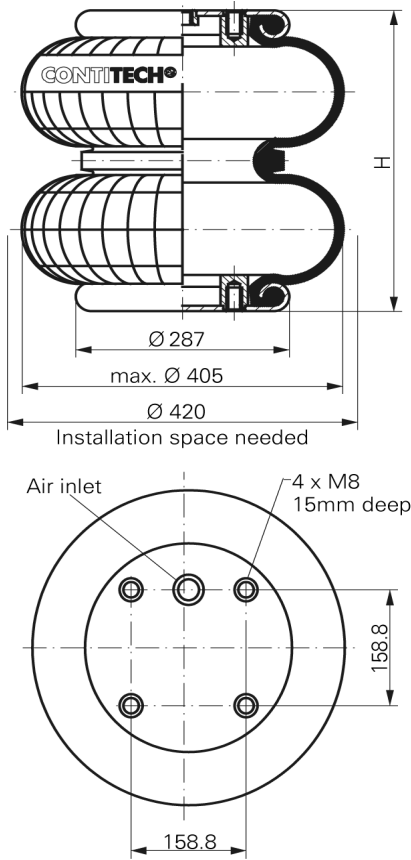


# FD 530-35 CI

# Double Convolution Air Spring



### Purchase order data

Type	Order No.
Rubber bellows only	on request
With clamped plates G 1 air inlet	62104
With clamped plates G 1/4 air inlet	65702

Additional types on request

### Technical data

Min. pressure	0 bar
Return force to min. height	$\leq 400$ N
Overall weight with clamped plates	7.7 kg

### Vibration isolation - dynamic characteristic values

Design height  $H$ : recommended 285mm, minimum 265mm

Pressure $p$	[bar]	3	4	5	6	7	8	Vol $V$ [l]
Force (Load)	[kN]	18.7	25.1	31.6	38.2	44.6	51.2	
Spring rate	[N/cm]	1770	2250	2700	3180	3640	4100	
Natural frequency	[Hz]	1.5	1.5	1.5	1.4	1.4	1.4	

### Pneumatic application - static characteristic values

Force  $F$  [kN]

Pressure $p$	[bar]	3	4	5	6	7	8	Vol.(l)
Height $H$ [mm]	320	14.9	20.4	25.9	32.0	37.6	43.7	
	280	18.5	24.5	31.0	38.1	45.0	51.7	
	240	21.1	28.0	35.5	43.3	50.3	57.9	
	200	23.1	30.7	38.5	47.1	54.8	62.8	
	160	24.8	33.1	41.3	50.4	58.4	67.2	
	120	26.2	34.8	43.4	52.9	61.5	70.6	



Service instructions

M 8 = 25 Nm

G 1/4 = 25 Nm

G 1 = 50 Nm

Measuring procedure: Room temperature / Force- height- data quasistatic / Dynamic data at 1 Hz