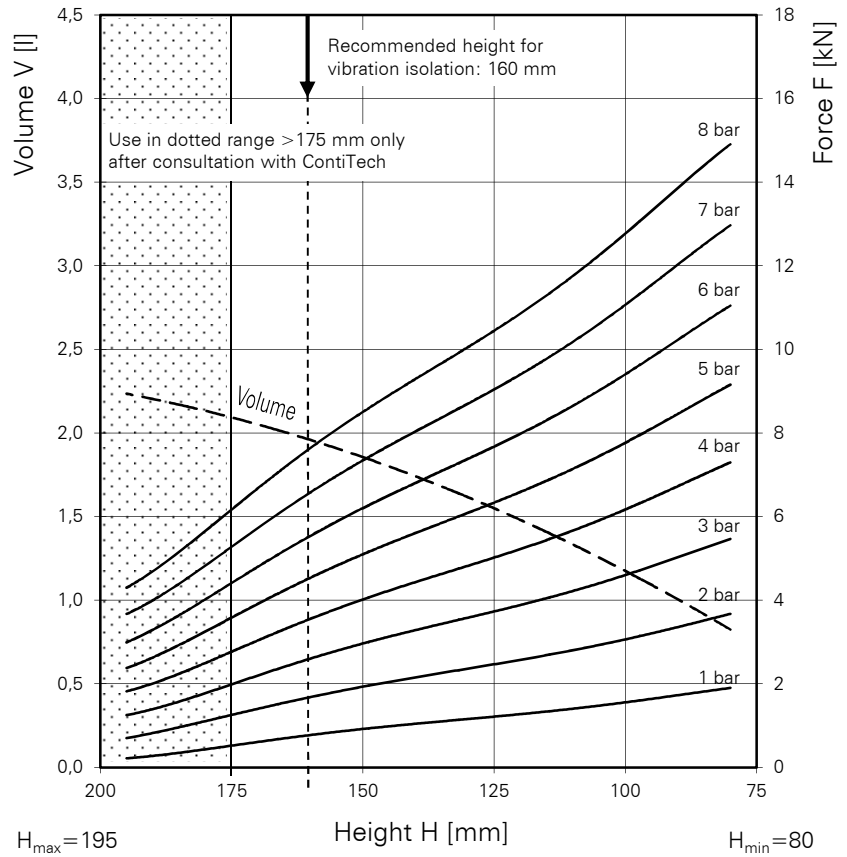
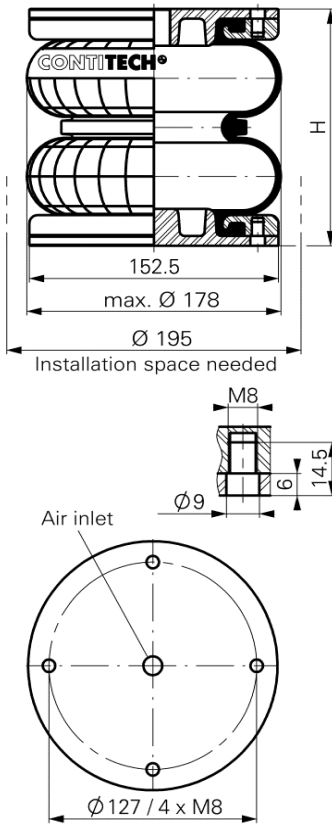


FD 76-14 DI CR

Double Convolution Air Spring



Purchase order data

Type	Order No.
CR-Rubber bellows only	69837
CR-Rubber bellows, with aluminium plates and G 1/2 air inlet	69838

Additional types on request

Technical data

Min. pressure	0 bar
Return force to min. height	≤ 180 N
Overall weight with plates	1.8 kg

Vibration isolation - dynamic characteristic values

Design height H: recommended 160mm, minimum 150mm

Pressure p [bar]	3	4	5	6	7	8	Vol V[l]
Force (Load) [kN]	2.6	3.5	4.5	5.5	6.5	7.6	
Spring rate [N/cm]	675	855	1035	1215	1395	1570	
Natural frequency [Hz]	2.5	2.4	2.4	2.3	2.3	2.3	

Pneumatic application - static characteristic values

Force F [kN]

Pressure p [bar]	3	4	5	6	7	8	Vol.[l]	
Height H [mm]	160	2.6	3.5	4.5	5.5	6.5		7.6
	140	3.3	4.5	5.6	6.8	8.1		9.3
	120	3.9	5.2	6.6	8.0	9.4		10.8
	100	4.6	6.2	7.8	9.4	11.1	12.8	



Service instructions
M8 = 12 Nm
G 1/2 = 25 Nm

Measuring procedure: Room temperature / Force- height- data quasistatic / Dynamic data at 1 Hz