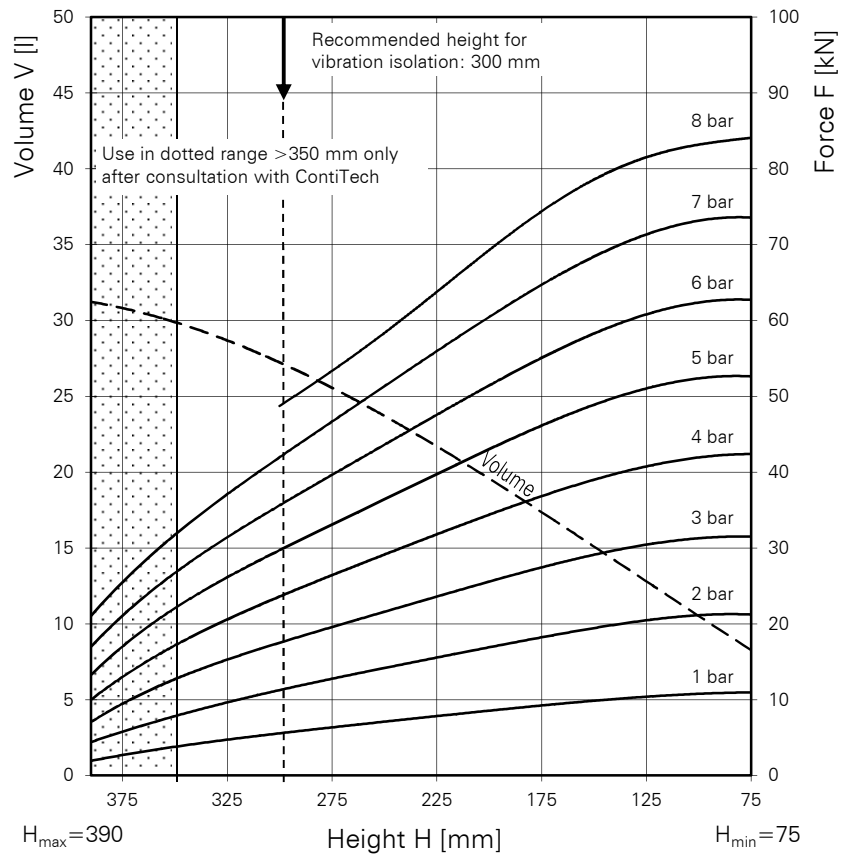
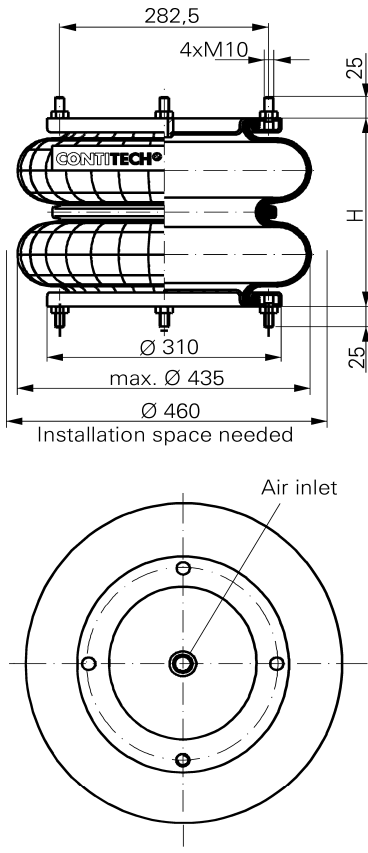


FD 816-30 DS

Double Convolution Air Spring



Purchase order data

Type	Order No.
Rubber bellows only	68050
With removable plates and G 1/2 air inlet	68052

Additional types on request

Technical data

Min. pressure	0 bar
Return force to min. height	≤ 250 N
Overall weight with metal plates	8.8 kg

Vibration isolation - dynamic characteristic values

Design height H: recommended 300mm, minimum 280mm

Pressure p [bar]	3	4	5	6	7	8	Vol V [l]	
Force (Load) [kN]	17.6	23.9	30.0	36.0	42.4	48.7		27.3
Spring rate [N/cm]	1710	2165	2640	3100	3560	4010		
Natural frequency [Hz]	1.6	1.5	1.5	1.5	1.5	1.4		

Pneumatic application - static characteristic values

Force F [kN]

Pressure p [bar]	3	4	5	6	7	8	Vol. [l]	
Height H [mm]	350	12.6	17.0	21.9	26.5	31.5		29.9
	300	17.6	23.9	30.0	36.0	42.4		27.3
	250	21.5	28.9	36.2	43.3	51.0		23.7
	200	25.5	34.4	43.0	51.4	60.5		19.4
	150	29.2	39.2	49.0	58.5	68.7		15.2
	100	31.2	41.8	52.3	62.2	73.0		10.6



Service instructions
M10 = 25 Nm
G 1/2 = 25 Nm

Measuring procedure: Room temperature / Force- height- data quasistatic / Dynamic data at 1 Hz