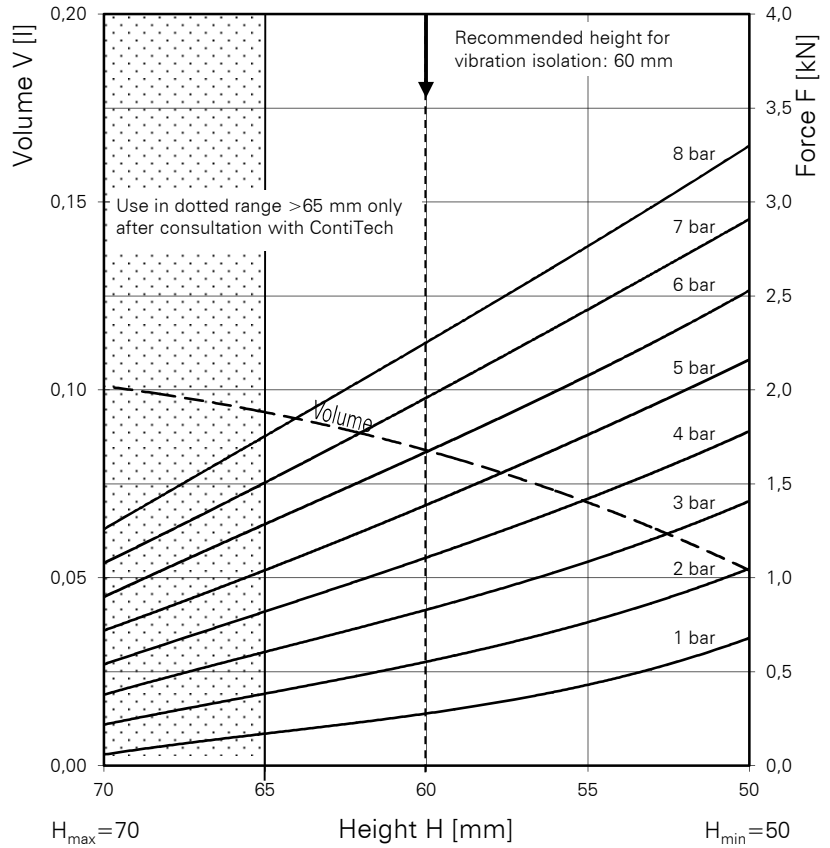
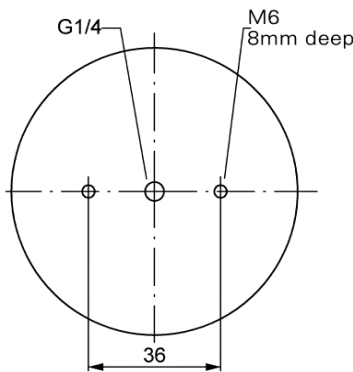
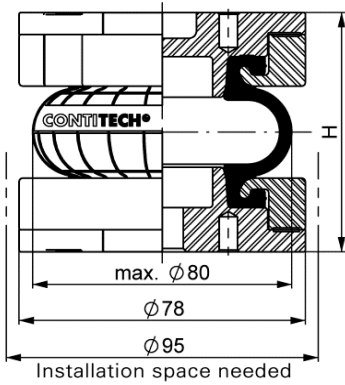


FS 22-3 DI CR

Single Convolution Air Spring


Purchase order data

Type	Order No.
CR-Rubber bellows only	69235
CR-Rubber bellows, with aluminium plates and G 1/4 air inlet	69342

Additional types on request

Technical data

Min. pressure	0 bar
Return force to min. height	≤ 400 N
Overall weight with aluminium plates	0.45 kg

Vibration isolation - dynamic characteristic values

Design height H: recommended 60mm, minimum 55mm

Pressure p [bar]	3	4	5	6	7	8	Vol V[l]
Force (Load) [kN]	0.9	1.2	1.5	1.7	2.0	2.3	
Spring rate [N/cm]	840	1030	1230	1420	1620	1800	
Natural frequency [Hz]	4.9	4.7	4.6	4.5	4.5	4.4	

Pneumatic application - static characteristic values

Force F [kN]

Pressure p [bar]	3	4	5	6	7	8	Vol.[l]	
Height H [mm]	60	0.84	1.11	1.39	1.68	1.97		2.26
	50	1.41	1.78	2.16	2.53	2.91		3.30



Service instructions
 M6 = 5 Nm
 G 1/4 = 15 Nm

Measuring procedure: Room temperature / Force- height- data quasistatic / Dynamic data at 1 Hz