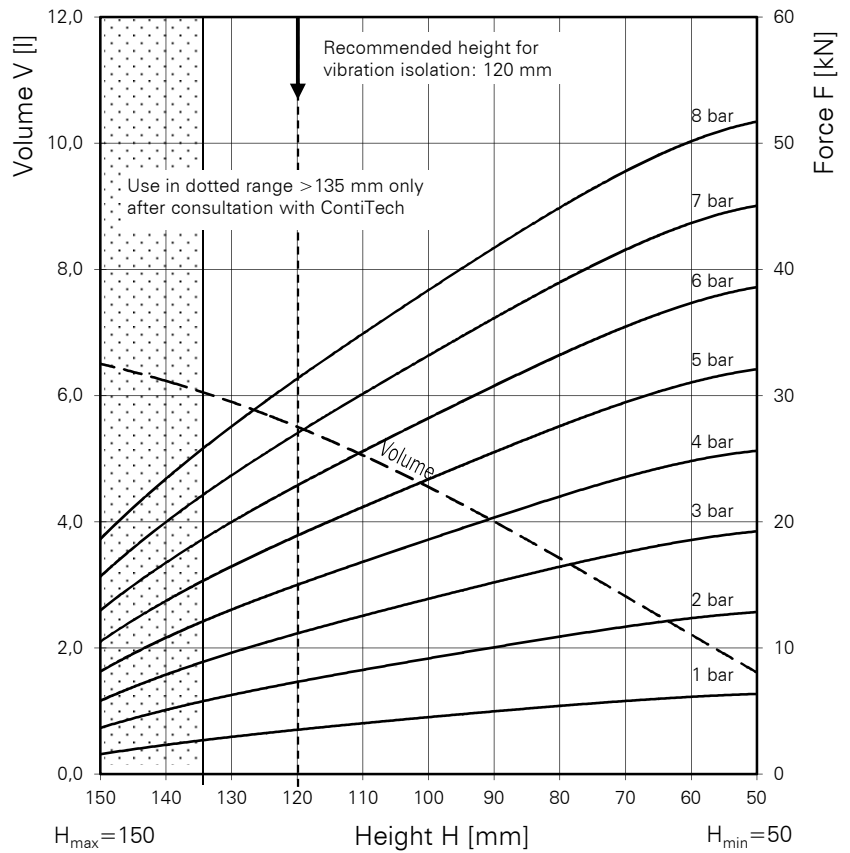
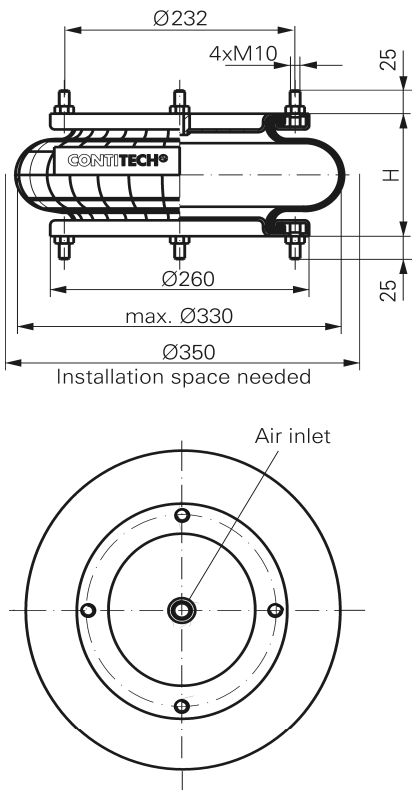


FS 412-10 DS

Single Convolution Air Spring



Purchase order data

Type	Order No.
Rubber bellows only	67961
With removable plates and G 1/2 air inlet	67962

Additional types on request

Technical data

Min. pressure	0 bar
Return force to min. height	≤ 200 N
Overall weight with metal plates	5.4 kg

Vibration isolation - dynamic characteristic values

Design height H: recommended 120mm, minimum 100mm

Pressure p [bar]	3	4	5	6	7	8	Vol. V [l]
Force (Load) [kN]	11.4	15.3	19.2	23.2	27.1	31.1	
Spring rate [N/cm]	2900	3720	4510	5310	6120	6890	
Natural frequency [Hz]	2.5	2.5	2.4	2.4	2.4	2.4	

Pneumatic application - static characteristic values

Force F [kN]

Pressure p [bar]	3	4	5	6	7	8	Vol.[l]	
Height H [mm]	120	11.2	15.1	18.9	22.9	27.0		31.4
	100	13.9	18.5	23.4	28.2	33.1		38.3
	80	16.5	22.1	27.6	33.4	39.1		45.0
	60	18.5	24.8	31.0	37.2	43.6	50.0	



Service instructions
M10 = 25 Nm
G 1/2 = 25 Nm

Measuring procedure: Room temperature / Force- height- data quasistatic / Dynamic data at 1 Hz