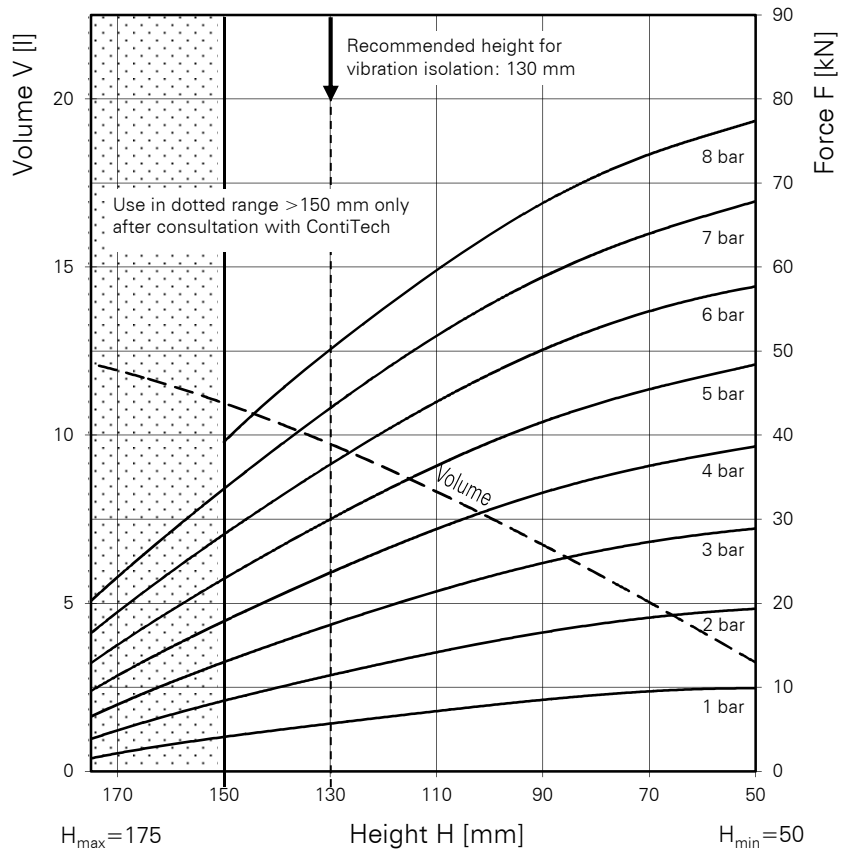
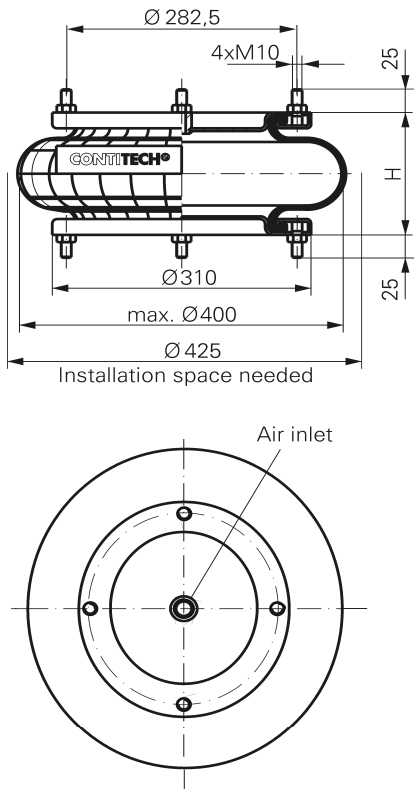


FS 614-13 DS

Single Convolution Air Spring



Purchase order data

Type	Order No.
Rubber bellows only	68043
With removable plates and G 1/2 air inlet	68045

Additional types on request

Technical data

Min. pressure	0 bar
Return force to min. height	≤ 230 N
Overall weight with metal plates	7.1 kg

Vibration isolation - dynamic characteristic values

Design height H: recommended 130mm, minimum 110mm

Pressure p [bar]	3	4	5	6	7	8	Vol. V [l]
Force (Load) [kN]	17.5	23.7	30.1	36.6	43.3	50.2	
Spring rate [N/cm]	4285	5580	6845	8040	9220	10390	
Natural frequency [Hz]	2.5	2.4	2.4	2.4	2.3	2.3	

Pneumatic application - static characteristic values

Force F [kN]

Pressure p [bar]	3	4	5	6	7	8	Vol.[l]	
Height H [mm]	150	12.9	17.8	22.8	28.1	33.5		39.2
	130	17.5	23.7	30.1	36.6	43.3		50.2
	100	23.2	31.1	39.1	47.2	55.4		63.8
	80	26.2	34.9	43.8	52.7	61.7		70.8
	60	28.2	37.5	46.9	56.4	65.9		75.5



Service instructions
M10 = 25 Nm
G 1/2 = 25 Nm

Measuring procedure: Room temperature / Force- height- data quasistatic / Dynamic data at 1 Hz